



## Bathtub - Madison

Two-way diverter for deck-mounted tub installation - polished chrome

Article number: 29 140 360-00



- Integrated diverter
- 1-1/4" hole diameter
- Flange diameter 2-1/8"
- 1/2" connection
- Water flow rate limited to max. 17.1 gpm

### Codes & Standards

- California Energy Commission (CEC)
- ASME A112.18.1/CSA B125.1
  
- Fittings group in compliance with DIN 4109: 1



polished chrome

Discontinued items available to order until 31.12.9999

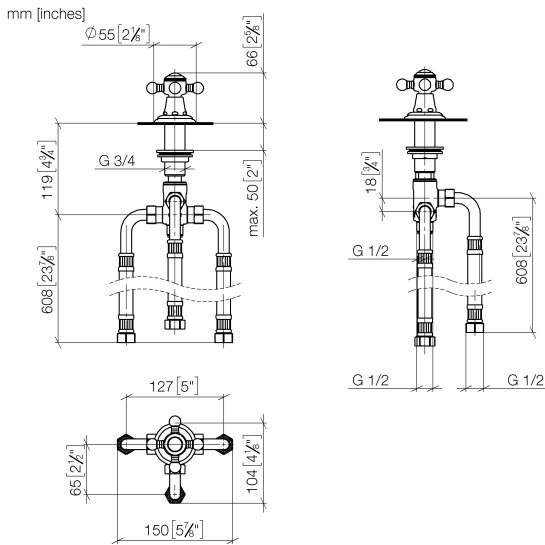


## Bathtub - Madison

Two-way diverter for deck-mounted tub installation - polished chrome

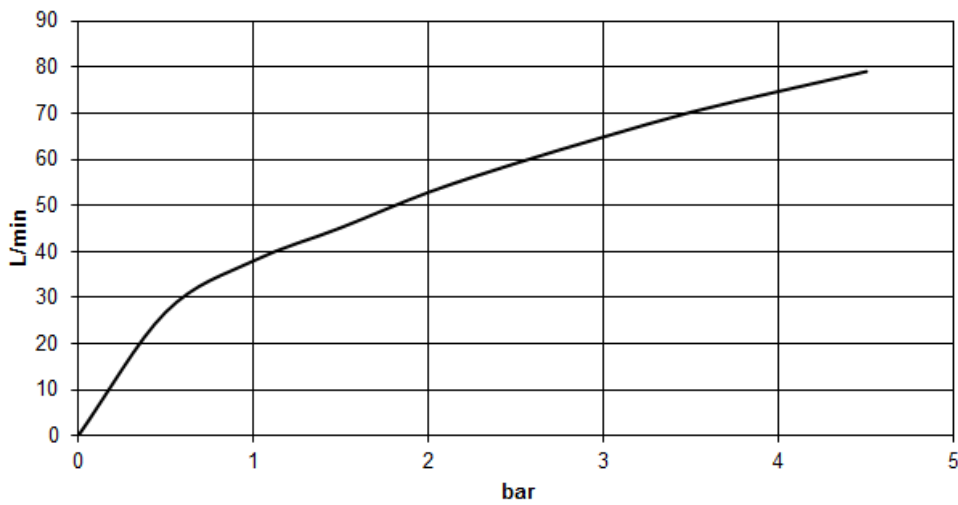
Article number: 29 140 360-00

### Dimensional drawing



All dimensions in mm / inch = mm x 0,0394

### Flow rate chart





## Bathtub - Madison

Two-way diverter for deck-mounted tub installation - polished chrome

Article number: 29 140 360-00

### Other surface finishes



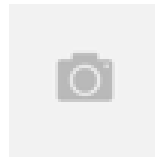
platinum matte  
29 140 360-06



platinum  
29 140 360-08



Durabrass  
29 140 360-09



Brushed Durabrass  
29 140 360-28



Dark Platinum matte  
29 140 360-99

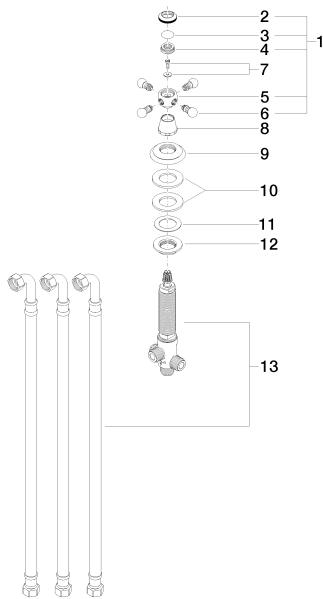
More custom finish options are available via special production (xTra Service). Please see our finish matrix for availability and pricing or contact a Dornbracht representative.

**Bathtub - Madison**

Two-way diverter for deck-mounted tub installation - polished chrome

Article number: 29 140 360-00

**Spare parts list**



Number	Item Number	Designation	Number of units
1	04 20 36 002 08-00	handle	1
2	09 20 36 005-00	handle	1
3	09 26 01 016 90	accessories	1
4	09 20 83 006 90	handle	1
5	09 20 36 002-00	handle	1
6	09 20 36 004-00	handle	4
7	04 30 30 029 00 90	fixing set	1
8	09 21 02 055-00	cover	1
9	09 27 35 001-00	rosette	1
10	09 14 05 014 90	seal	1
11	09 14 40 002 90	seal	1
12	09 23 10 004 90	nut	1
13	90 17 09 051 00 90	diverter	1